



Searching for a New Balance

SM-100 Series Scale Printer

RETAIL PRODUCTS

- State of the art communications with TCP/IP built in!
- Flexible label formatting with full graphic capability. Image printed on label with .bmp files
- Simple and quick changing between labels using the removable cassette
- Capable of full ingredients and cooking instructions
- Meets Canadian nutritional label requirements



THE DIGI SM-100 BCS PLUS

The SM-100 is ready for today's needs and tomorrow. Fully capable of ingredients and nutrients the scale will grow with you.

Nutrition Facts		Valeur nutritive	
Per 125 mL (87 g)			
Pour 125 mL (87 g)			
Amount			% Daily Value
Teneur			% valeur quotidienne
Calories / Calories	80		
Fat / Lipides	0.5 g	1%	
Saturated / saturés	0.0 g	0%	
+ Trans / trans	0.0 g	0%	
Cholesterol / Cholestérol	0 mg		
Sodium / Sodium	0 mg	0%	
Carbohydrate / Glucides	18 g	6%	
Fibre / Fibres	2 g	8%	
Sugars / Sucres	2 g		
Protein / Protéines	3.0 g		
Vitamin A / Vitamine A			2%
Vitamin C / Vitamine C			10%
Calcium / Calcium			10%
Iron / Fer			2%

PACKED ON 06-JN-29

BEST BEFORE 06-JL-04

UNIT PRICE \$1.00/kg

NET WEIGHT 5.000 kg

000001

0 21 2345 105001

Total Price \$5.00

DIGI CANADA INC

Thank you to our loyal customers for their continued support



SM-100 Series Scale Printer

The Preferred Choice for Service Scale Printer

Specifications

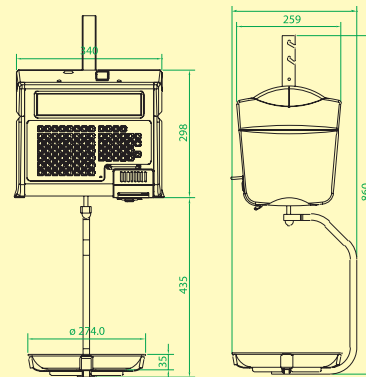
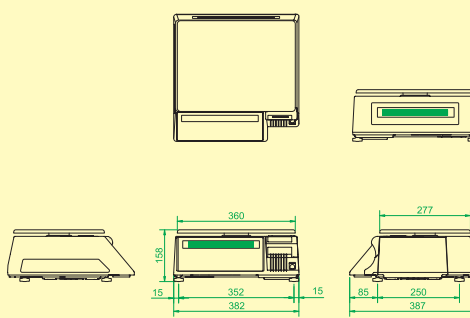
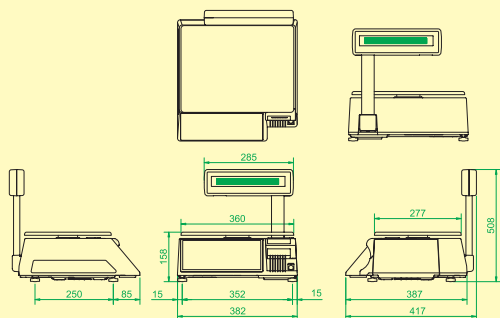
model	SM-100 PCS (Pole Type) SM-100 BCS (Bench Type) SM-100 HS (Hanging Type)
Capacity	6 Kg (1 - 2 g increment) 15 Kg (2 - 5 g increment) 30 Kg (10g increment) 30 lb (.01lb increment)
Memory capacity	2 MB (standard)
Display Resolution	1 / 3,000 (dual range)
Display	All types - Operator: 32 x 202 full dot matrix green LCD display - Customer: 32 x 202 full dot matrix green LCD display
	Tare Weight: 4 Digits Weight: 5 Digits Unit Price: 6 Digits Total Price: 7 Digits
Printing	Paper Width: Maximum 60 mm (label) - 56 mm printable 40 or 60 mm (receipt) Speed: 80 mm / second (label) 105 mm / second (receipt) Label Size: Length: 28 - 220mm Width: 30 - 56mm
Power Source	AC 110 / Volts (50 / 60 Hz)
Operating Temperature	-10 °C to +40 °C
Humidity	15 % to 85 % RH
Interface	Standard: Ethernet

RETAIL PRODUCTS

SM-100 PCS

SM-100 BCS

SM-100 HS



Thank you to our loyal customers for their continued support